

ENVICELL

ENVICELL is a highly efficient pleated modular filter. The modern compact design is suitable for a wide variety of applications.



Designed to achieve high levels of filtration efficiency, ENVICELL are manufactured with a wide pleat spacing.

The rigid construction enables ENVICELL to attain a good effective cleaning with a low compressed air usage.

Features

- ANTISTATIC (ATEX).
- PTFE COATING (oil and water-repellent).
- PTFE MEMBRANE (high filtration efficiency).

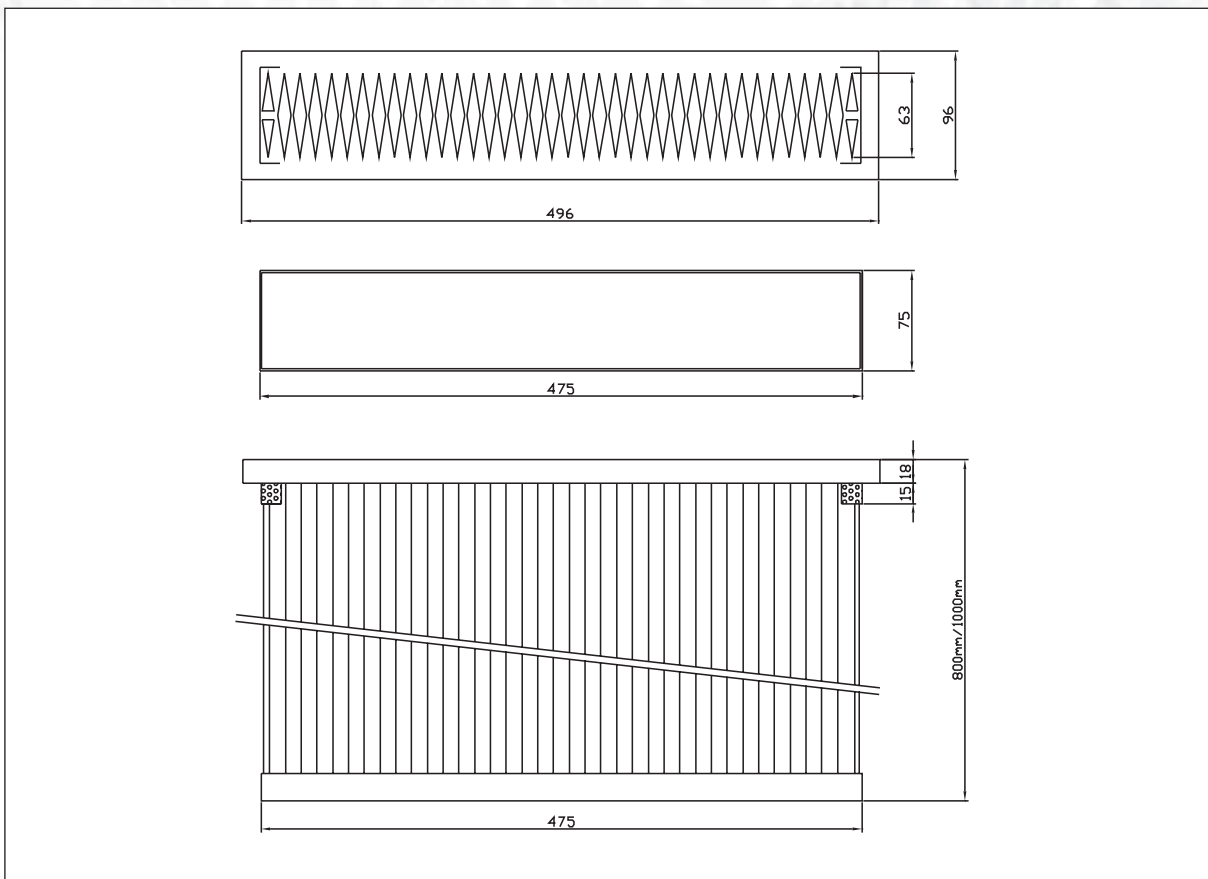
ENVICELL replaces DCE/TORT Unicell without changes.



ENVICELL



Technical Data



Filter no.	Lenght	Surface area m ²
D01-86N08035N	1000 mm	5
D01-86A08035N	1000 mm	5
D02-86N08035N	800 mm	4
D02-86A08035N	800 mm	4

