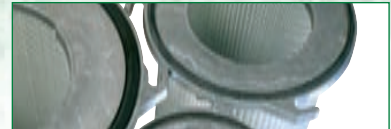


ENVI-FILTER-Cartridge Type 4

Aluminium and Plastic Flange

ENVI-FILTER cartridge type 4 is a 3 or 4 lug aluminium or plastic flange.



The Aluminium flanges are a strong and rigid construction with an easy fixation in the dustcollector. The 3 or 4 fixing points ensure a tight and uniform fixing of the cartridge.



The plastic version is with the same fixation possibilities as the aluminium version. However when fitted with a plastic support tube, it is fully incinerable.

The flangeconstruction allows the filtercartridges to be fitted from either the clean or the dirty air side.

Then ENVIFILTER Cartridge Type 4 comes with the following options for inside support tube:

- Plastic.
- Galvanized Expanded Metal.
- Galvanized Perforated Metal.
- Stainless Steel Perforated Metal.

Features

- ANTISTATIC (ATEX).
- PTFE COATING (oil and water-repellent).
- PTFE MEMBRANE (high filtrationefficiency).



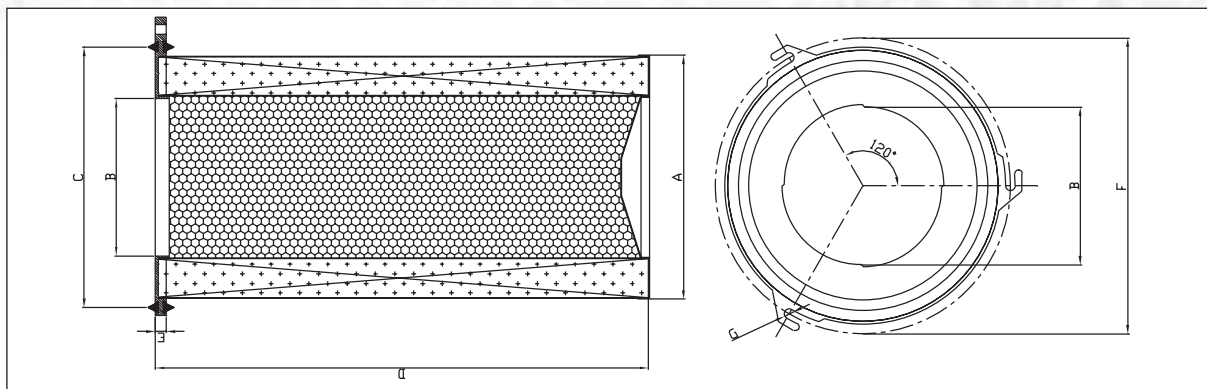
Industrivej 4 · DK-6622 Baekke · Denmark

Tel. +45 7538 9666 · Fax +45 7538 9667 · info@envi-filter.com · www.envi-filter.com

ENVI-FILTER-Cartridge Type 4

Aluminium and Plastic Flange

Technical Data



Ø mm	A Ø mm	B Ø mm	C Ø mm	D mm	E mm	F Ø mm	G Ø mm	Pleat depth
145	145	83	153	500	12	180	10	20
	145	83	153	750	12	180	10	20
	145	83	153	1000	12	180	10	20
	145	83	153	1200	12	180	10	20
	145	83	153	->2000	12	180	10	20
150	150	85	170	500	12	206	12	28
	150	85	170	750	12	206	12	28
	150	85	170	1000	12	206	12	28
	150	85	170	1200	12	206	12	28
	150	85	170	->2000	12	206	12	28
225	225	145	233	500	12,5	263	12	28
	225	145	233	750	12,5	263	12	28
	225	145	233	1000	12,5	263	12	28
	225	145	233	1200	12,5	263	12	28
	225	145	233	->2000	12,5	263	12	28
325	325	210	347	500	15	394	13	28/50
	325	210	347	600	15	394	13	28/50
	325	210	347	660	15	394	13	28/50
	325	210	347	750	15	394	13	28/50
	325	210	347	1000	15	394	13	28/50
	325	210	347	1200	15	394	13	28/50
	325	210	347	->2000	15	394	13	28/50



Industrivej 4 · DK-6622 Baekke · Denmark

Tel. +45 7538 9666 · Fax +45 7538 9667 · info@envi-filter.com · www.envi-filter.com